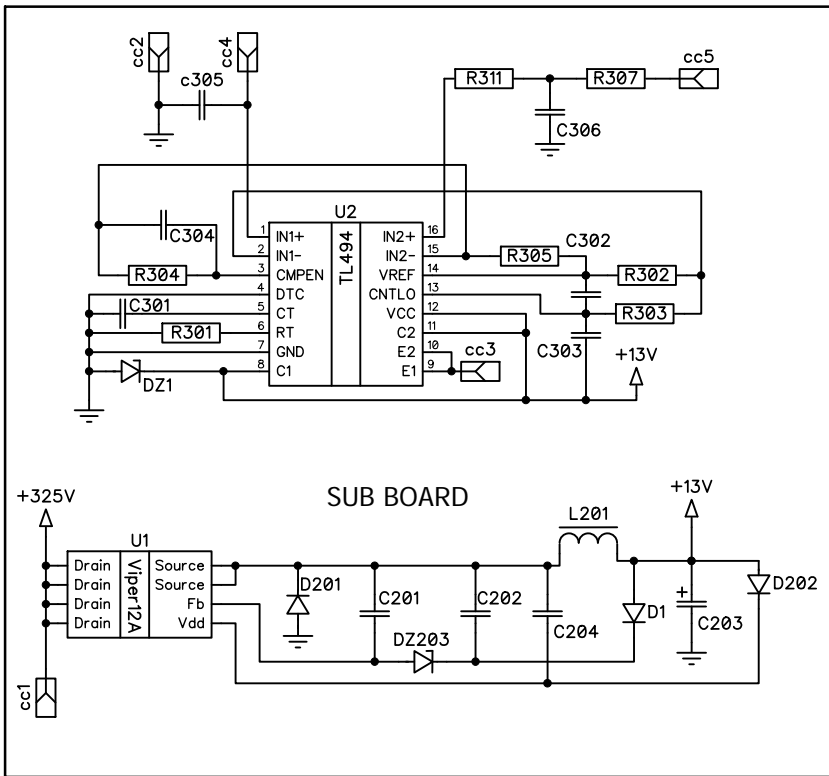


# ANDIS AGC 2



c1-c5 and cc1-cc5 - connector from main board to sub board

Reverse engineering is made by BlackKilkennyCat, for repair only. May contain errors (TL494 and Viper12 not been removed).

[www.kilkennycat.pro](http://www.kilkennycat.pro)  
[www.kilkennycat.ru](http://www.kilkennycat.ru)

